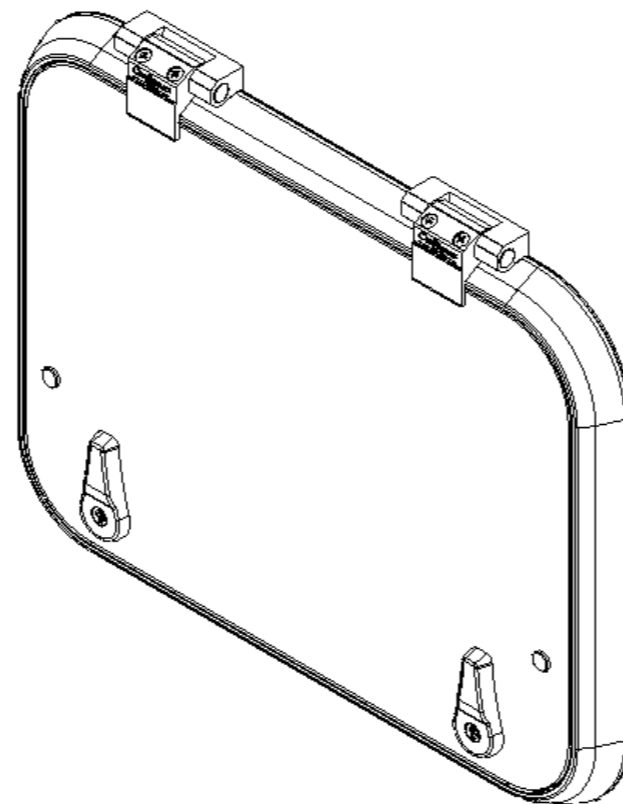


Dimension including Mosquito Screen



Note : Dimension Tolerance ± 2 mm.

Surface Finish														
Ra Value μm	0.012	0.025	0.05	0.1	0.2	0.4	0.8	1.6	3.2	6.3	12.5	25	50	100
120 to 315: ± 0.5	315 to 1000: ± 0.8			1000 to 2000: ± 1.2										
0 to 6 : ± 0.1	6 to 30 : ± 0.2			30 to 120 : ± 0.3										
General Tolerances where not specified														

Date	Revision	Description	Initials
Description Assembly Sirius 500x370 - R55			Dwg.no. FB.010.20045
Material:		Heat Treatment:	Weight: gms/Unit
Scale: N.T.S	Proj.:	Date: 18/08/09	
Drawn: R.Shankar	Checked:	Size: A3L	Dim. in: mm
Product group: Craftsman Marine		Sheet: 1	of: 1



Craftsman
MARINE

Visserdijk beneden 70, 3319GV Dordrecht, The Netherlands. Tel: +31 (0)88 0062600, Fax: +31 (0)88 0062601 - info@craftsmanmarine.com - www.craftsmanmarine.com
This drawing is the property of Craftsman Marine B.V., Dordrecht. Copyright reserved acc. law. It is not to be copied (in whole or in part) or otherwise disclosed without the written consent of Craftsman Marine B.V.