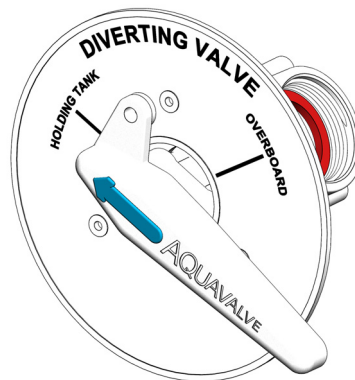


AQUAVALVE THROUGH BULKHEAD

The Tru-Design Aquavalve is the most versatile valve on the market today. The Aquavalve is designed and made in New Zealand, for demanding marine sanitation applications.

The Through Bulkhead version allows all plumbing to be hidden behind a wall or panel.

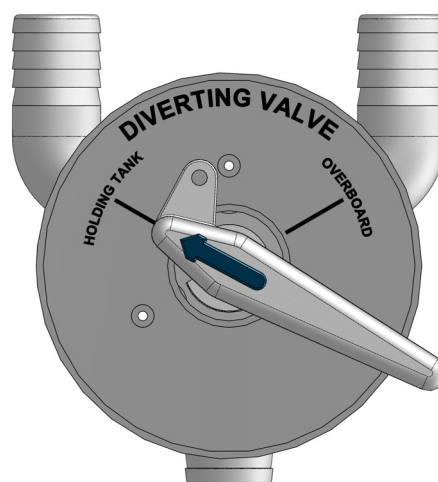


The Aquavalve is typically used in marine toilet applications where protection for the environment necessitates the need to control effluent discharge – in many countries this is governed by regulation. The effluent can be held in a holding tank for later discharge overboard or to a shore side facility.

The Tru-Design Aquavalve is moulded from a glass reinforced nylon composite. High strength, high-modulus glass fibres impregnated into the nylon provides dramatic strength, stiffness, toughness, and dimensional stability.

MODELS

Part #	Description
90313	Aquavalve Through Bulkhead



INTERNATIONAL STANDARDS

Sewage entering our waterways and oceans has become a problem faced in many areas.

Legislation forbidding the dumping of marine waste has been in place in areas such as the Great Lakes (USA) for many years. With 124 countries now party to MARPOL 73/78 Annex IV for ships, smaller vessels are now being targeted. Legislation in many countries now dictates the use of holding tanks near shore, or in defined areas.

By installing a diverting valve, the user has the ability to hold sewage when required by law, and can pump directly overboard when allowed.

KEY FEATURES

Feature :	
Manufactured from a glass reinforced nylon composite	High strength and light weight.
Stainless steel fasteners	Will not corrode in salt laden air.
Easy installation	With a range of straight, 90° and 120° tails, and two seal options, plumbing in confined spaces is made easy.
Clear and easy to understand labeling of positions	Valve handle has a blue arrow which points to labels indicating where the fluid is going. The operator knows exactly what direction the flow is going in.
Plumbing is hidden	Excellent for when the valve is used regularly, but a clean look is required.
Available in black or white	Fits in with colour schemes in plumbing areas allowing easy identification of components.
Pressure tested	All valves are pressure tested to ensure quality and safety in respect to sealing and operation.
Silicon seal	The Aquavalve® is the only valve on the market today with smooth movement and an excellent seal with good wear resistance.
Composite spanner included	Avoids using pipe wrenches that gouge the fitting. Facilitates access in tight places.
Large operating temperature range	Suitable for all marine environments, from -40°C to +110°C

SPECIFICATIONS

The Aquavalue is designed to withstand the rigors of marine toilet operation.

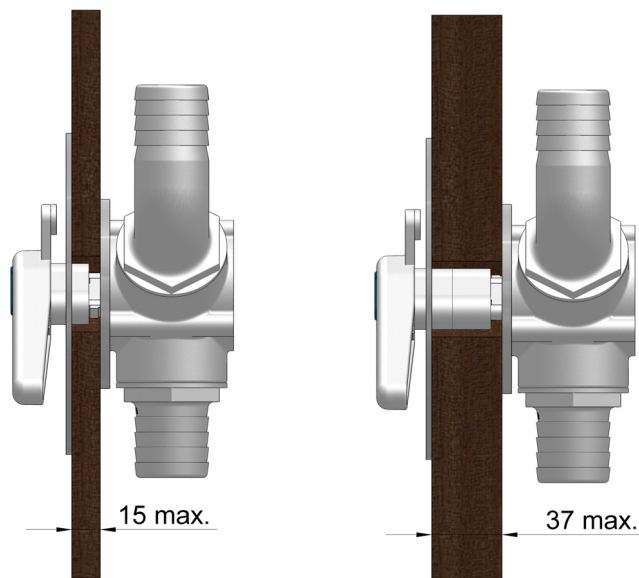
The Aquavalue is resistant to most chemicals used in toilets. Recommendations from toilet manufacturers should be followed with regards to chemicals and lubrication.

As per marine toilet use best practice, all wastes should be fully flushed into the holding tank to reduce the chance of buildup and permeation issues.

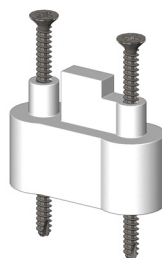
The Aquavalue is a diverting valve. The rotor seal is designed to operate under low pressure, and therefore may not be suitable for vacuum toilets depending on the position of the valve relative to the toilet.

BULKHEAD THICKNESS

The Aquavalue Through Bulkhead is designed for thin panels (up to 15mm). If a thicker bulkhead is encountered, an extension pack is available to extend the range to 37mm.

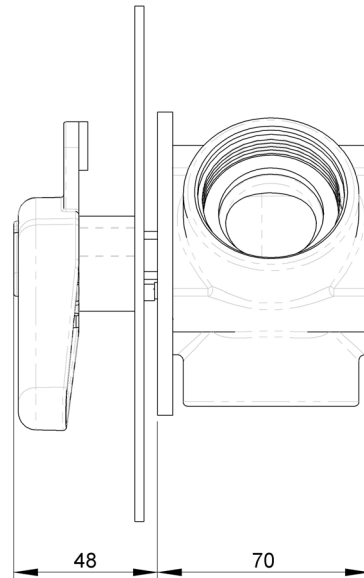
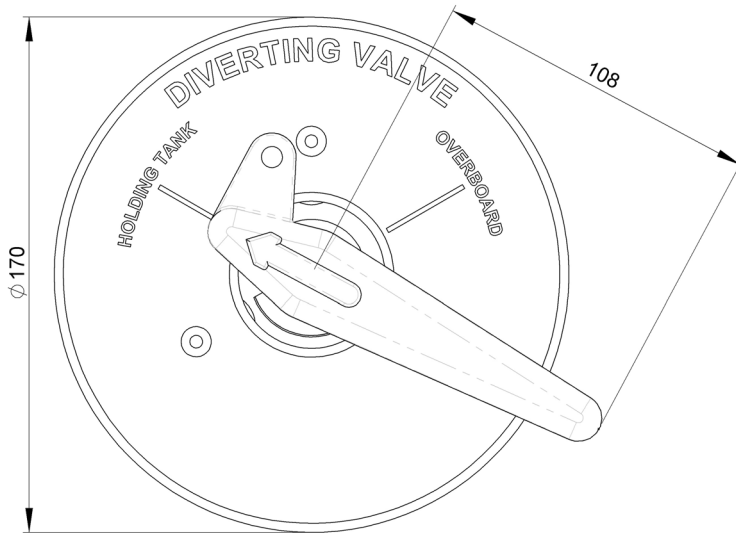


Part #	Description
90453	Extension Pack Aquavalue Through Bulkhead



DIMENSIONS

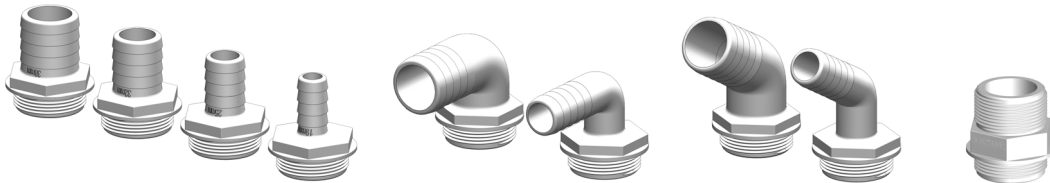
All dimensions in mm.
All dimensions nominal.



INSTALLATION

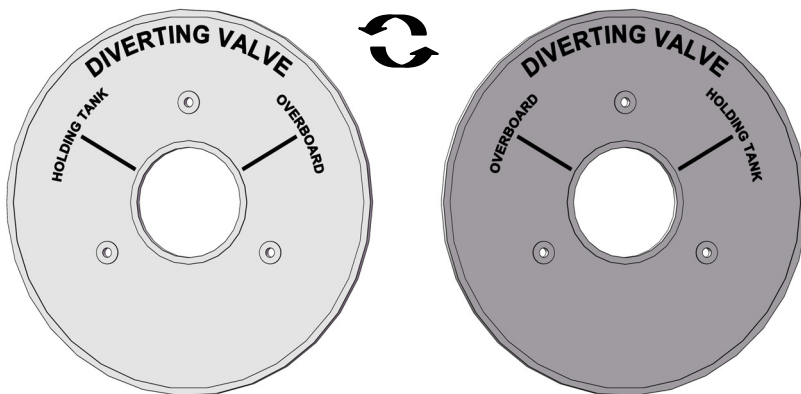
The Tru-Design Aquavalue is the most versatile valve on the market today. Full Installation instructions are supplied with each Aquavalue.

A large range of Tails is available to suit individual plumbing layouts, and piping sizes. When combined with the seals supplied, fittings can be oriented to suit the confined spaces encountered in marine plumbing.



For the full range of Accessories see *PIS – Aquavalue Accessories*

The reversible fascia allows added flexibility when installing. Set up the plumbing, and then install the fascia to suit.



SERVICING

The Aquavalue is supplied with full servicing instructions. It is recommended that the seal is greased regularly with Silicone grease which is available in an appropriate sized pack.

If a major service is required, a service kit is available. The service kit includes grease and seals.



Red and Blue Seals are used to alter the orientation of the fittings (Blue Seal is thicker). These are available if plumbing layouts need to be changed in the future.



The spanner can often be misplaced, so when changing plumbing layouts etc, a new spanner can be supplied.

Part #	Description
90317	Spanner Aquavalue
90516	Silicone Sachet
90316	Seal Kit Aquavalue Silicone
90475	Aquavalue Red Seal
90327	Aquavalue Blue Seal

Tru-Design Plastics Ltd. accepts no responsibility for Products which are improperly installed or tampered with. Although the information presented in this product information sheet is believed to be accurate and reliable, no responsibility for inaccuracies can be assumed by Tru-Design Plastics Ltd. This performance data is typical only and variations due to component manufacturing tolerances are normal. Tru-Design Plastics Ltd. reserves the right at any time to change performance characteristics or specifications without prior notice.
Tru-Design Plastics Ltd, all rights reserved.